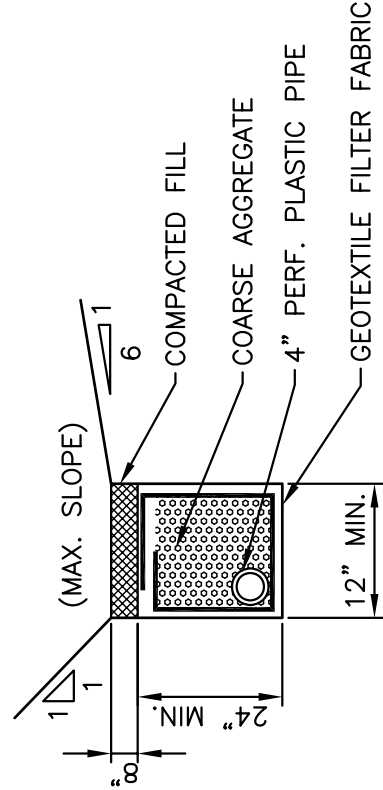
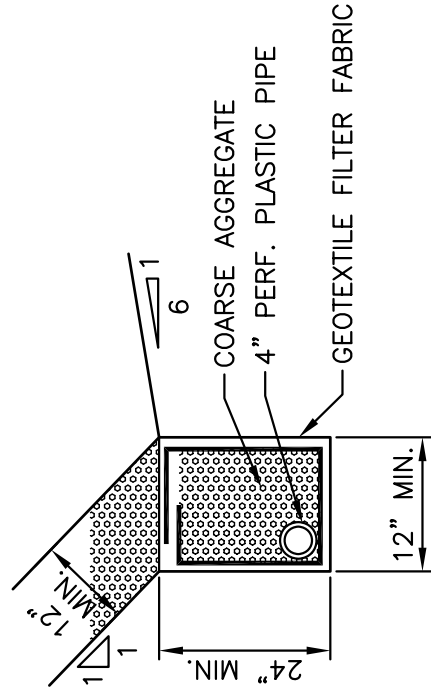


PROFILE

1. GRAVEL BLANKET TO BE INSTALLED AS DIRECTED BY DEVELOPER'S GEOTECHNICAL CONSULTANT.
2. 4" PERF. PLASTIC PIPE TO DRAIN TO OUTSLOPE AND THE WATER DIVERTED OR COLLECTED IF NECESSARY TO PREVENT DOWNSTREAM DAMAGE.



(IF GRAVEL BLANKET IS REQUIRED)

(IF GRAVEL BLANKET IS NOT REQUIRED)

Center Township Standard Detail

FILL BENCH DETAIL