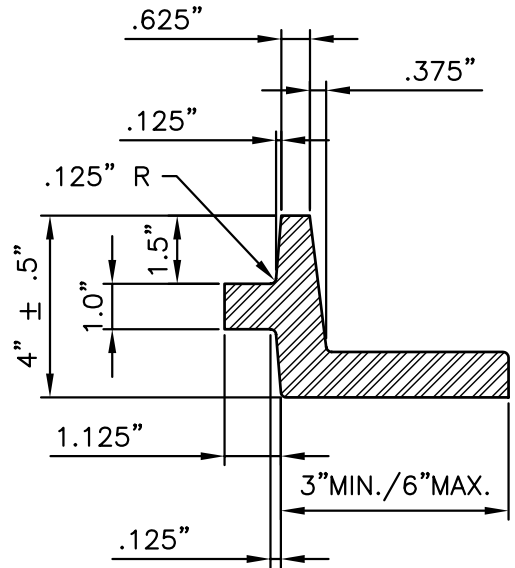
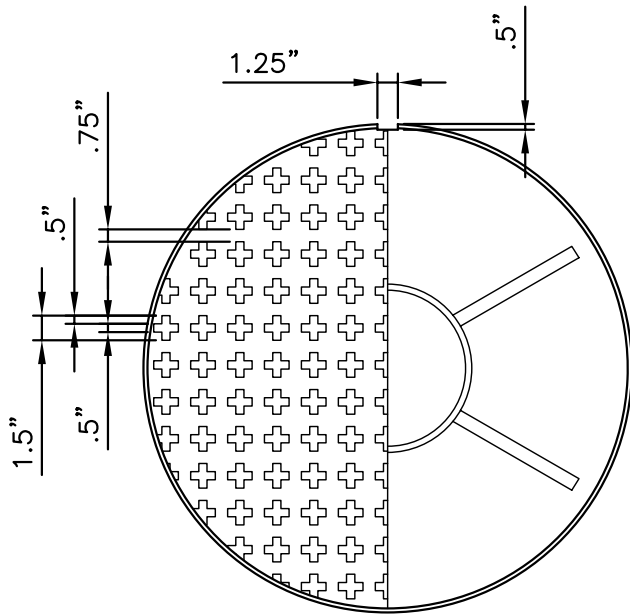


CAST IRON FRAME

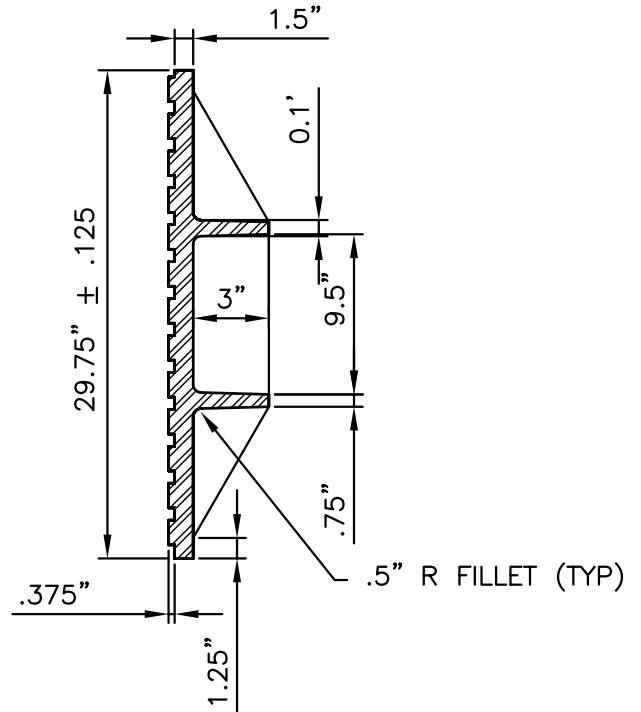


NOTE:

(ALL ROUNDS AND FILLETS TO BE .25" R. UNLESS OTHERWISE SPECIFIED)



CAST IRON COVER



MANHOLE COVER

Center Township Standard Detail